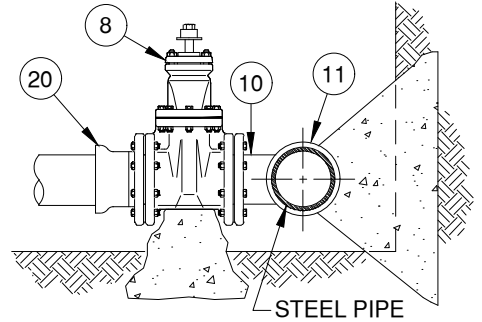
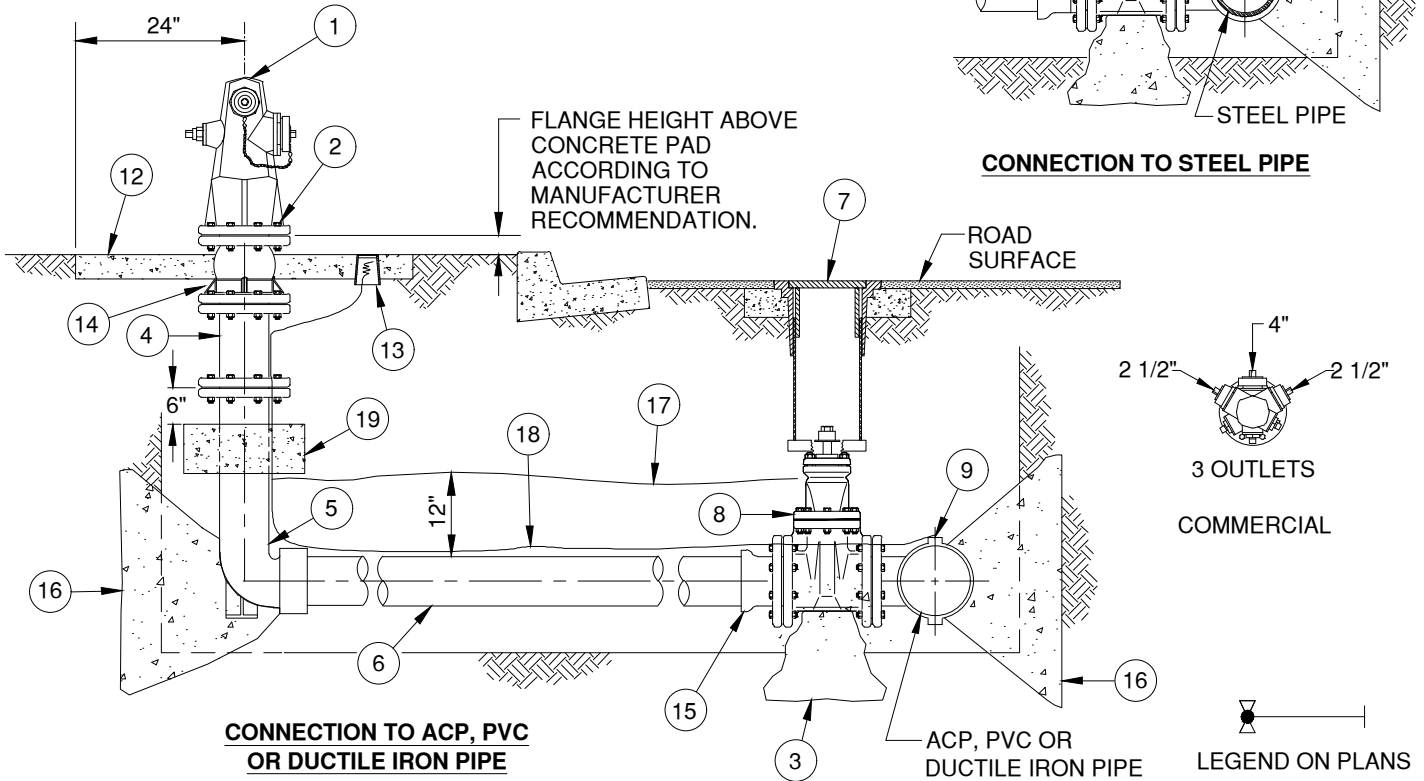


APPURTENANCE FINISH COLOR
RUSTOLIUM SUNBURST YELLOW
FIRE HYDRANT ASSEMBLY
VALVE CAN LID

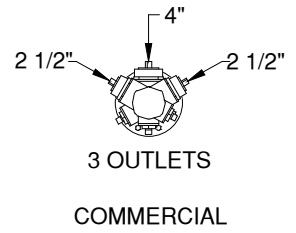
- NOTE:**
- A. FOR LOCATION OF APPURTENANCES SEE STANDARD DRAWING NO. W-2.
 - B. ALL MATERIALS USED ON A 6-INCH FIRE HYDRANT ASSEMBLY SHALL BE PER SPECIFIED WORKING PRESSURE.
 - C. ALL CONNECTIONS TO BE RESTRAINED OR THRUST BLOCKED PER W-20.



CONNECTION TO STEEL PIPE

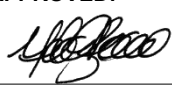


CONNECTION TO ACP, PVC OR DUCTILE IRON PIPE



LEGEND ON PLANS

NO.	SIZE & DESCRIPTION	NO.	SIZE & DESCRIPTION
1	6-INCH FIRE HYDRANT, ONE PIECE BODY (8 BOLT PATTERN)	11	STEEL WRAPPER PLATE
2	3/4-INCH x 3-INCH HEX HEAD MACHINE BOLTS & NUTS TYP	12	4-FEET x 4-FEET x 3 1/2-INCH CONCRETE PAD
3	VALVE SUPPORT, PER W-21	13	CARSON 708 TRACER WIRE ACCESS PORT
4	6-INCH x REQUIRED LENGTH DI SPOOL, 8 HOLE, NO BREAK OFF SCORE (8-INCH MIN LENGTH)	14	6-INCH AVK FLOWGUARD II CHECK VALVE (8 BOLT HOLE PATTERN)
5	6-INCH x REQUIRED LENGTH CI HYDRANT BURY ELL, FLG x HUB OR FLG x FLG (8 HOLE)	15	6-INCH FLG x PUSH ON OR MJ ADAPTER
6	6-INCH x REQUIRED LENGTH PVC CLASS 305 PIPE	16	CONCRETE THRUST BLOCK, PER W-20
7	VALVE WELL FRAME, ASSEMBLY, AND VALVE CAN LID PER W-25, PAINT VALVE CAN LID ONLY	17	WARNING TAPE
8	6-INCH RESILIENT WEDGE GATE VALVE FLG x FLG	18	TRACER WIRE
9	MAIN SIZE x 6-INCH DI TEE OR TAPPING SLEEVE (FLANGED OUTLET)	19	1-FOOT THICK x 2-FOOT SQUARE (ONLY USED WHEN RESTRAINED)
10	6-INCH STEEL FLANGED OUTLET CML&C	20	6-INCH FLG x PUSH ON OR MJ ADAPTER (TYPICAL)

APPROVED:

 District Engineer
 03/02/2026
 Date
 3/2/2026
 Latest Revision Date

 VALLEY CENTER MUNICIPAL WATER DISTRICT
 STANDARD DRAWING
6-INCH FIRE HYDRANT

NOT TO SCALE
 DWG. NUMBER
W-12